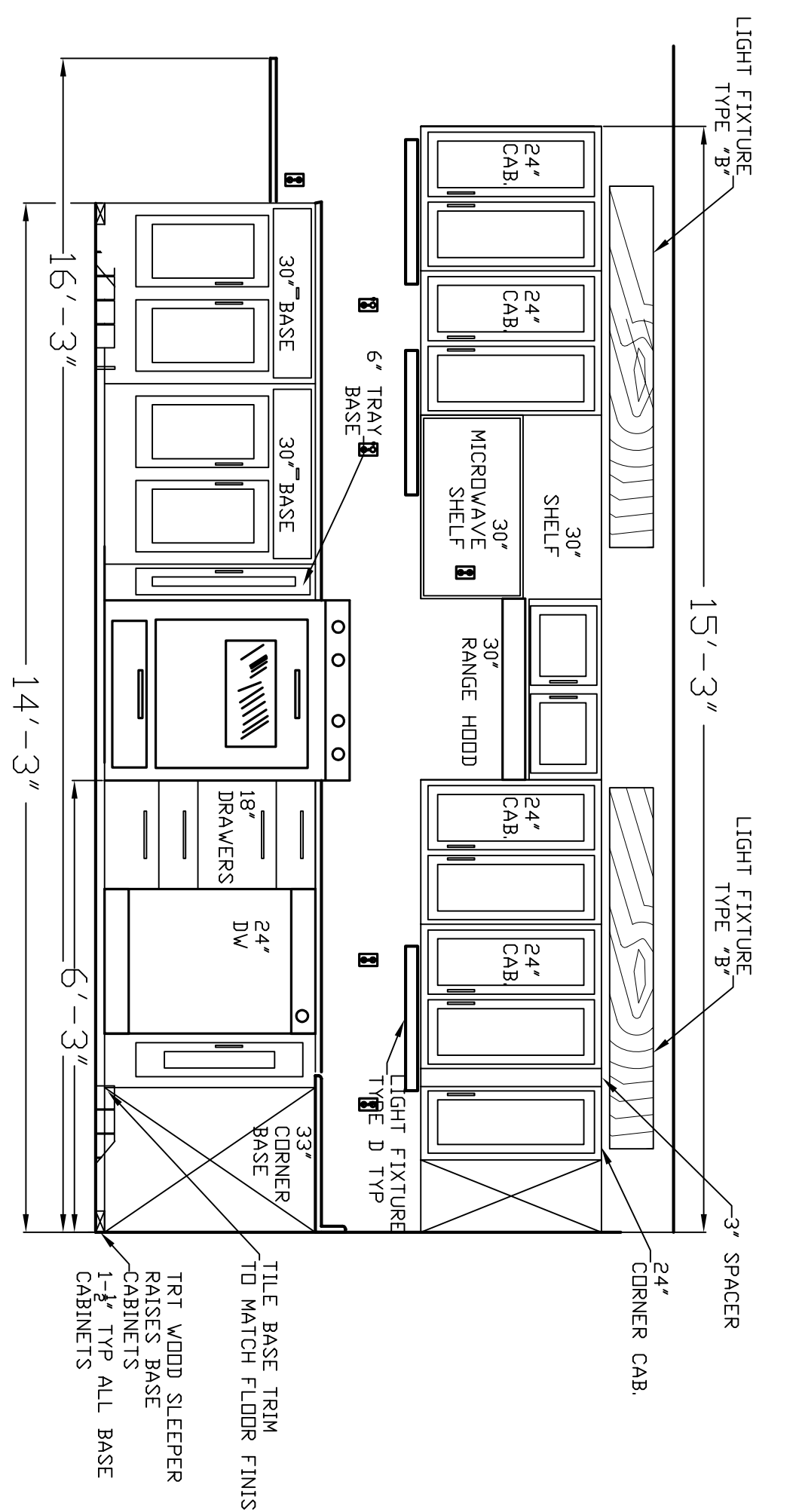
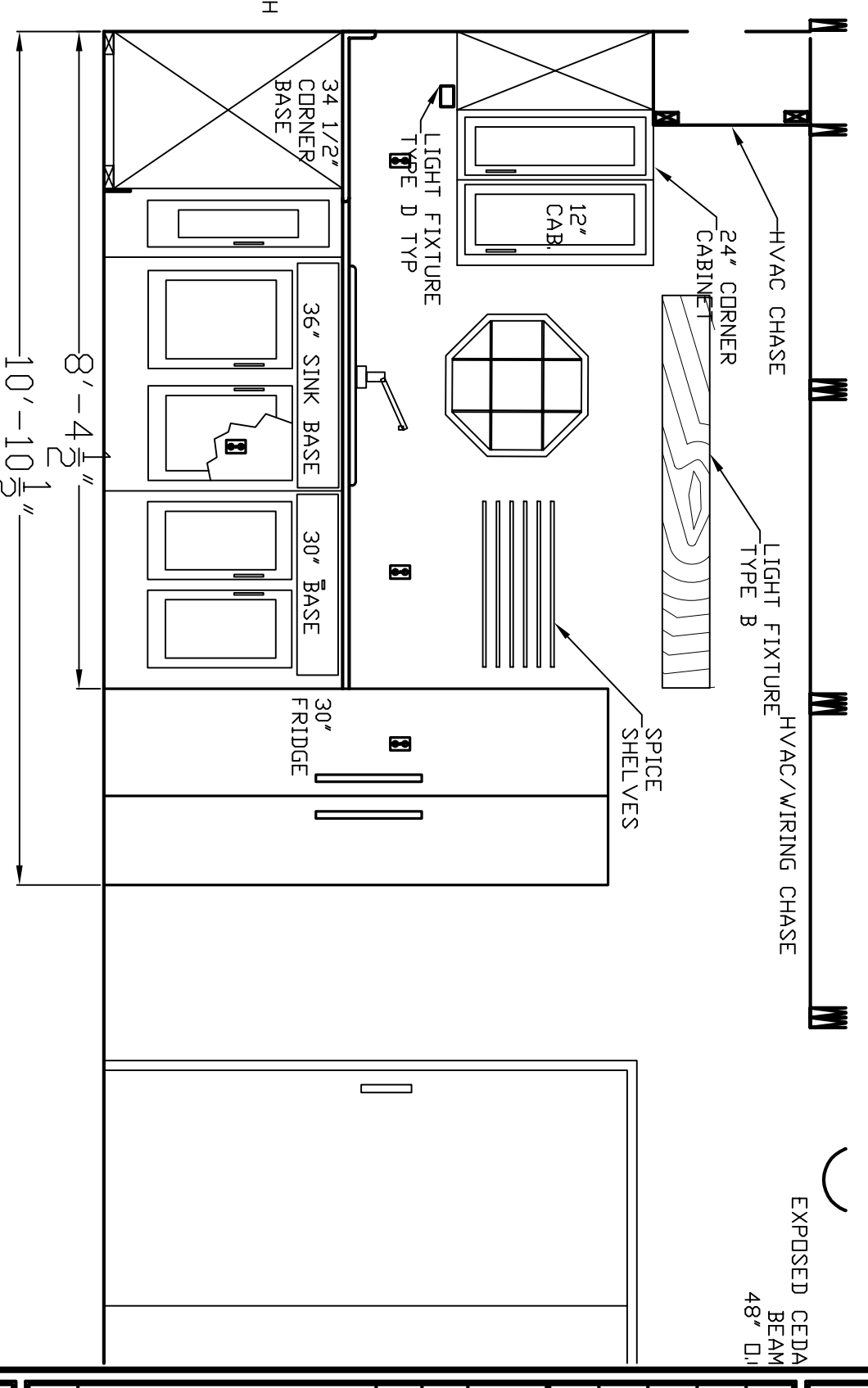


WEST ELEVATION

NORTH ELEVATION

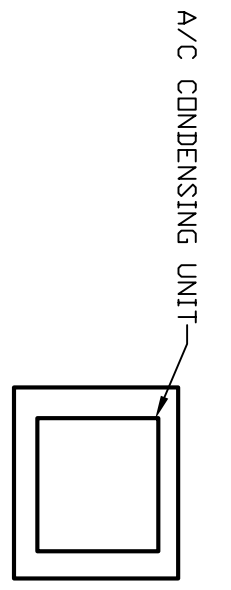


EAST ELEVATION

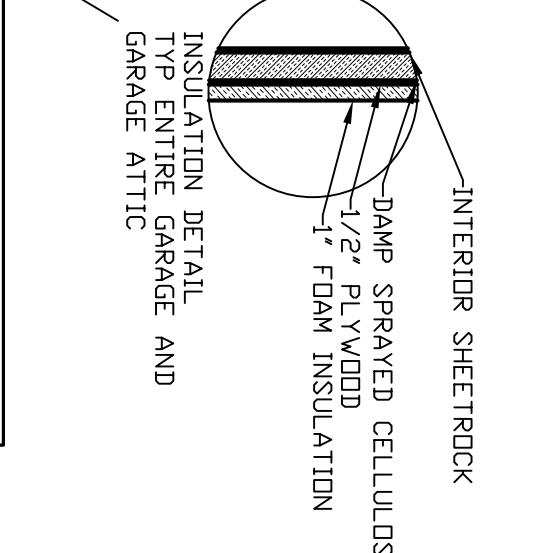
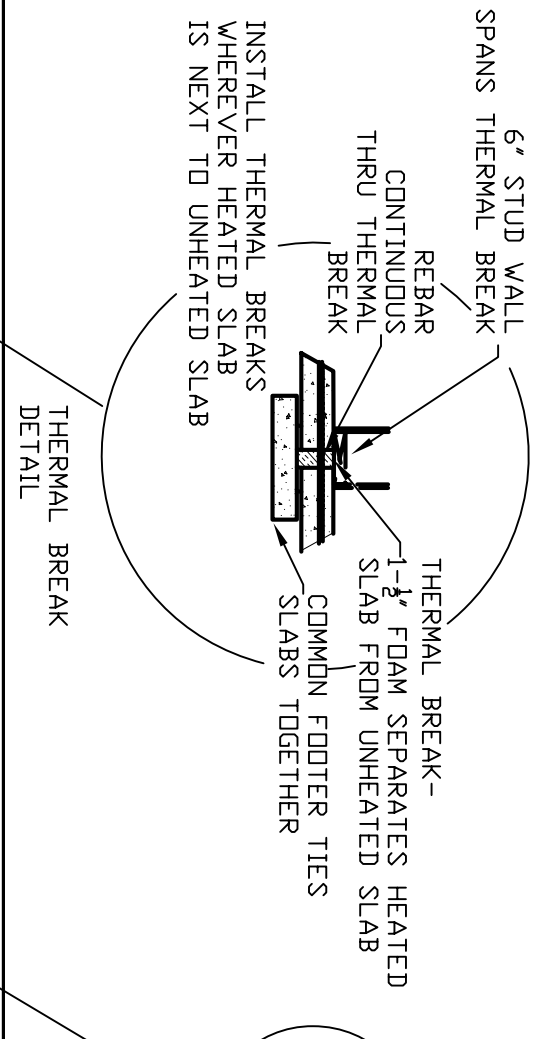


SOUTH ELEVATION

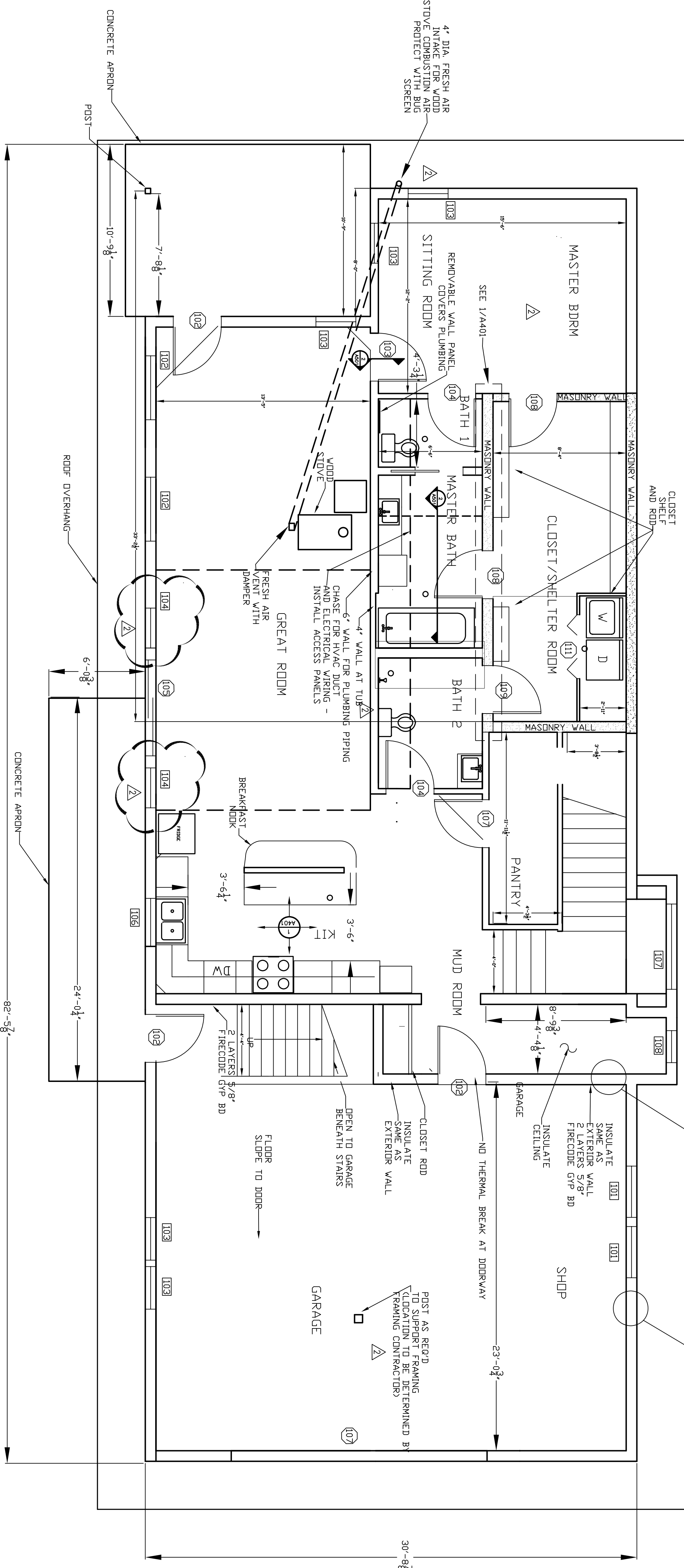
1 KITCHEN CABINET ELEVATIONS
SCALE 1/2" = 1'-0"



A/C CONDENSING UNIT



- GENERAL NOTES:**
- SEE 2ND FLOOR PLAN FOR NOTES ABOUT GREEN BUILDING REQUIREMENTS
 - ITEMS TO BE PROVIDED BY OWNER
 - ELECTRICAL FIXTURES - INSTALL BY OWNER
 - CONCRETE STAIN & FINISH (SCORING) BY OWNER
 - WOOD STOVE - PROVIDE AND INSTALL BY CONTRACTOR
 - KITCHEN SINK - INSTALL BY PLUMBER, PLUMBER PROVIDE AND INSTALL FAUCETS
 - KITCHEN STOVE - INSTALL BY CONTRACTOR
 - WASHER DRYER - PROVIDE AND INSTALL BY PLUMBER
 - CLOTHES DRYER (PREPARED) - INSTALL BY CONTRACTOR
 - EXPOSED GEOR BEAMS - DE-BARK, VARNISH AND FINISH
 - ALL INTERIOR FINISHED WOODWORK, CABINETS AND TRIM BY OWNER
 - CAST IRON CLAVIOT 60" TUB - INSTALL BY PLUMBER
 - FLOOR HEATING COMPONENTS - INSTALL BY CONTRACTOR
 - LIGHTNING PROTECTION COMPONENTS - INSTALL BY OWNER
 - WATER HEATER - INSTALL BY PLUMBER
 - INTERIOR PAINTING BY OWNER



1 FIRST FLOOR PLAN
SCALE 1/4" = 1'-0"

- PROTECT ALL STAINED CONCRETE FLOORS WITH A LAYER OF TAR PAPER, PROTECT FLOORS FROM ANY STAINING OR STICKING COMPONENT SUCH AS GULF, MASONRY CEMENT, SHEETROCK MUD OR PAINT.
- DAMP SPRAY CELLULOSE INSULATION SHALL BE APPLIED BY A LICENSED CONTRACTOR TRAINED BY THE MANUFACTURER. AFTER INSTALLATION, MOISTURE SHALL BE ALLOWED TO DRY A MINIMUM OF 72 HOURS. MOISTURE CONTENT OF INSULATION, MEASURED AT LEAST (60) PLACES BEFORE APPLICATION OF SHEETROCK.
- SEALING AND CAULKING - BEFORE APPLICATION OF INSULATION, SMALL GAPS SUCH AS GAPS AROUND WINDOW AND DOOR FRAMES SHALL BE SEALED WITH MINERAL EXPANDING FOAM. GULF CRACK BETWEEN DOUBLE STUDS SHALL BE SEALED. GULF CRACK BETWEEN DOUBLE STUDS SHALL BE SEALED. GULF CRACK BETWEEN DOUBLE STUDS SHALL BE SEALED. GULF CRACK BETWEEN DOUBLE STUDS SHALL BE SEALED.
- INSULATION DETAIL - BEFORE APPLICATION OF INSULATION, SMALL GAPS SUCH AS GAPS AROUND WINDOW AND DOOR FRAMES SHALL BE SEALED WITH MINERAL EXPANDING FOAM. GULF CRACK BETWEEN DOUBLE STUDS SHALL BE SEALED. GULF CRACK BETWEEN DOUBLE STUDS SHALL BE SEALED. GULF CRACK BETWEEN DOUBLE STUDS SHALL BE SEALED.
- INSPECTIONS - THE CONTRACTOR SHALL NOTIFY THE OWNER AT THE FOLLOWING STAGES AND SHALL NOT PROCEED UNTIL PREVIOUS WORK HAS BEEN APPROVED:
 - REBAR, EARTH TEMPERED VENTILATION AND GROUNDING SYSTEM BEFORE POURING CONCRETE.
 - FRAMING BEFORE INSTALLING INSULATION.
 - INSULATION CAULKING AND SEALING BEFORE INSTALLING SHEETROCK.
 - FINAL INSPECTION

FIRST FLOOR PLAN
LILE-MICHAELIEU RESIDENCE

DATE	17MAR06			
DESIGNED	LOL			
DRAWN	LOL			
DESIGN CHECK	LOL			
NO.	DESCRIPTION	BY	CHK	DATE
1	REVISIONS			